

PRODUCT DETAILS

The DAB JETCOM102M is a composite, self-priming centrifugal pressure pump with excellent suction capacity even when there are air bubbles in the water.

Particularly suited to water supply in domestic installations, small-scale agriculture, gardening and wherever self-priming operation is required.

DAB Jetcom pumps are renowned for their unique self priming and extraordinary deep suction capability; up to 8 metres at sea level.



APPLICATIONS

- Household water supply - medium to larger dwellings
- Light garden irrigation
- Water transfer
- Washing systems
- Pressure boosting

FEATURES

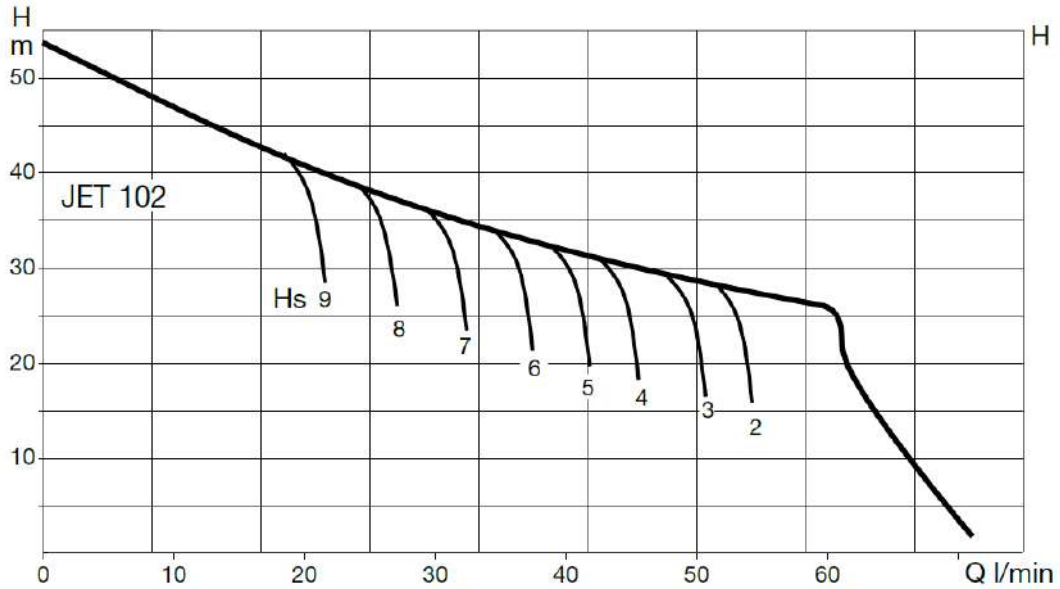
- Motor support in cast iron, technopolymer pump body, impeller, diffuser, Venturi tube and sand guard. Stainless steel adjustment rings.
- Carbon/ceramic mechanical seal.
- Asynchronous motor closed and cooled by external ventilation. Max Ambient temp 40 deg C
- Built-in thermal and current overload protection and a capacitor permanently on in the single-phase versions.

TECHNICAL DATA

OUTPUT POWER (KW)	0.75kW P2
MAX. HEAD [M]	53.8M
MAX. FLOW L/MIN	60 l/min
MAX PRESSURE	6 bar
LIQUID TEMPERATURE	2 - 35 deg C
MOTOR	Asynchronous TEFC
MOTOR INSULATION	F Class insulation
MOTOR PROTECTION	In-built thermal overload
PROTECTION CLASS	IP44. Terminal board I.P.55

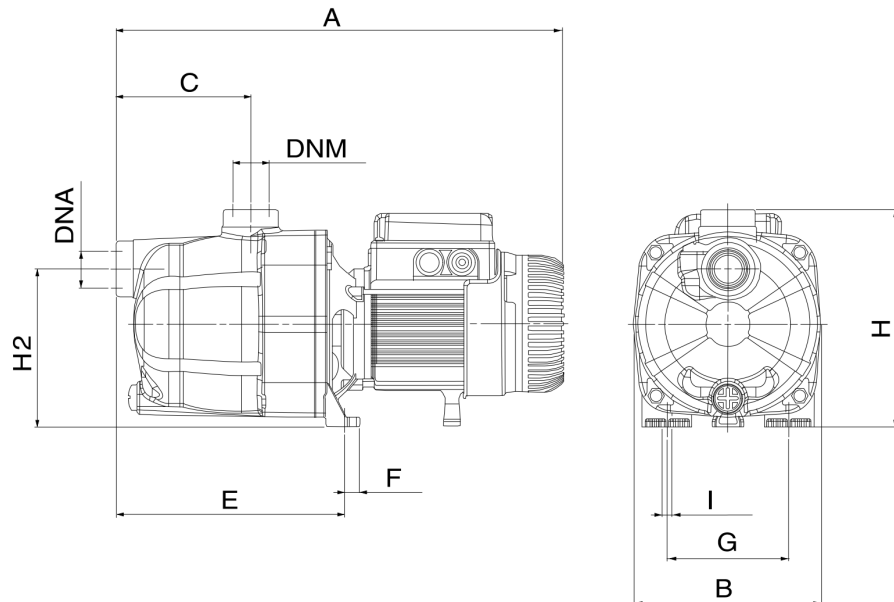
RATED VOLTAGE	220 - 240V 1Ph 50 Hz
RATED CURRENT	5.1A
CAPACITOR	16uF 450V
POWER CABLE	2m long 10 amp rated H05 flex 10 amp 3 pin plug
PUMP BODY	Technopolymer A
INTERNALS	Technopolymer A
MECHANICAL SEAL	Carbon/Ceramic
PACKAGE DIMENSION	L470 x W240 x H240mm
GROSS WEIGHT (KG)	9.5kg

CURVE



DIMENSIONS

A	425
B	170
C	122
E	208
F	14
G	111
H	203
H2	144
I	Dia 9
DNA	1" GAS
DNM	1" GAS



WARRANTY / CERTIFICATIONS

